



Optional internal V/I meter shown

- High performance **DC UPS system**
- **No-Break** switching between charger & battery
- **Battery detection - regular battery presence and battery circuit integrity checks**
- **Alarm relay outputs**
- **LED flash codes for precise state indication**
- **Deep discharge protection for batteries**
- **ECB for battery overload & short circuit protection**
- **Fused reverse battery polarity protection**
- **Automatic temperature compensated output volts**
- **Option - battery condition test (BCT)**
- **Option - communication interface allows remote monitoring & user control of BCT function - i versions**
- **Batteries external to charger - order separately**



Z367

◆ 24 Month Warranty

**SPECIFICATIONS** All specifications are typical at nominal input, full load and at 20°C unless otherwise stated.

ELECTRICAL	
<b>Input voltage</b>	230V AC: 180V - 264V (standard) 110V AC: 88V - 132V (on request)
<b>Frequency</b>	50/60 Hz
<b>Fusing / protection</b>	Input fuse and varistor Battery fuse plus ECB for battery circuit
<b>Isolation</b>	1KV DC input - output / earth
<b>Efficiency</b>	≥ 85%
<b>Inrush current</b>	Soft start circuit
<b>Output power</b>	750W
<b>Output voltage</b>	13.8, 27.6, 34.5, 41.4, 55.2VDC
<b>Voltage adj. range</b>	85 - 105% of Vout
<b>Temp. compensation</b>	Temperature sensor on 1.7m lead with adhesive pad: -4mV / °C / cell ±10%
<b>Current limits</b>	<b>PSU:</b> 100% rated current <b>Battery:</b> 25-100% rated current (factory set)
<b>Line regulation</b>	<0.2% over AC input range
<b>Load regulation</b>	<0.4% open circuit to 100% load
<b>Noise</b>	<1% output voltage
<b>Drift</b>	0.03% / °C
<b>Hold-up time</b>	20 ms without battery (nominal - max. Vin)
<b>Turn on time</b>	< 2 sec
<b>Thermal protection</b>	Yes, self resetting
<b>OVP</b>	Over-voltage protection on output at ~ 130% of nominal output voltage
<b>EMI</b>	to CISPR 22 / EN55022 class A
<b>Safety</b>	to IEC950 / EN60950 / AS/NZS3260
<b>Vibration</b>	Designed to meet MIL-STD-810F Method 514.5

No-Break™ FUNCTIONS AND ALARMS	
<b>Reverse polarity protection</b>	Battery reverse connection will open internal fuse (and produce alarm)
<b>Battery monitoring</b>	Detects for presence of battery on start up, then every 60 minutes when charge current < 200mA
<b>Battery protection</b>	Electronic circuit breaker (ECB) operates under the following conditions:
- <b>low battery volts</b>	• battery voltage drops to 1.67V/cell - auto reset
- <b>overload</b>	• < 300ms for load > 6 x rated PSU current, allows ~1.5x rated PSU current from battery without acting,
- <b>short circuit</b>	• < 2ms, backed up by fuse
<b>Indication LEDs</b>	<b>Green:</b> Battery System OK, Power OK <b>Red:</b> Standby
<b>Alarms</b>	• Power OK (mains or charger fail, standby mode) • Battery System OK - battery voltage low (on mains fail), battery missing, battery circuit wiring faulty, BCT fail (if enabled)
<b>Alarm relay contacts</b>	C - NO - NC full changeover rated 1A /50V DC, 32VAC
<b>Standby mode</b>	Turns off DC output of PSU & allows load to run off battery
<b>Battery condition test (BCT)</b>	Optional - if enabled, default setting = 20mins/28days). BCT can be started and stopped by the user on SR750 i. BCT relay provided to control an external test load.

ENVIRONMENTAL	
<b>Operating temperature</b>	0 to 50 °C ambient at full load De-rate linearly at >50 °C to zero @ 70 °C
<b>Storage temperature</b>	-10 to 85 °C ambient
<b>Humidity</b>	0 - 95% relative humidity non-condensing
<b>Cooling</b>	Fan cooled
<b>Protection</b>	IP20

# 750 Watt No-Break™ DC charger for lead acid batteries

# SR750C

incl. SR750i

## MODEL TABLE

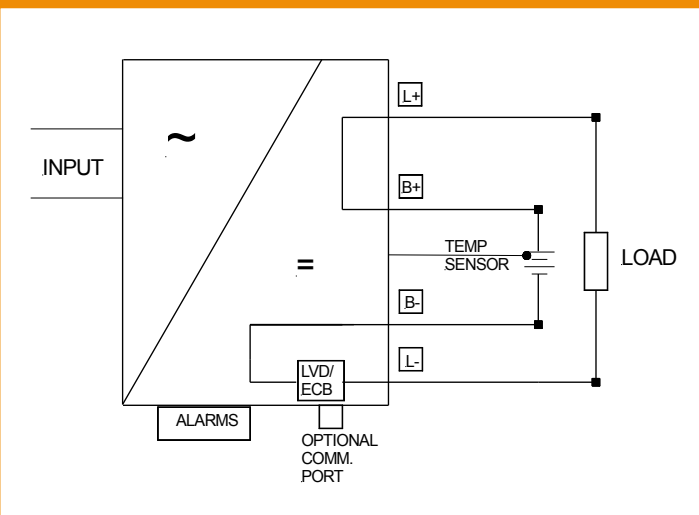
MODEL	DC Output				
	Output (V)	PSU Rated (A)	Charge Limit (A) *1	Recomm. Load (A)	Peak load on mains fail (A)
SR750C12	13.8	54	54	40	81
SR750C24	27.6	27	27	20	40
SR750C30	34.5	21	21	15	31
SR750C36	41.4	18	18	13	27
SR750C48	55.2	13.5	13.5	10	20

\*1 This is the default setting. Please specify if a lower limit is required at time of order



Stud connectors

## SCHEMATIC BLOCK DIAGRAM



Screw/plug in connectors

## OPTIONS

- 19" Rack Mount** 2U sub rack option: add **SR-RM2U**
- Digital V/I meter** May be fitted with SR750 in 19" rack, add: **SR-METER** or **SR-METERV2/SHUNT**
- Wall Mount Enclosure** Charger may be fitted into enclosure with MCBs and terminals. **Code: SEC-SR**
- Parallel redundancy** Use external output diode, eg **+P50**
- Internal V/I Meter** Add code **+INT-METER**
- Communications Port (SR750i...)**
  - Ethernet / SNMP v1
  - RS485 / Modbus using external converter:
    - \* **+PROTOCONMB** - Modbus serial
    - \* **+PROTOCONMB-OE** - Modbus TCP & HTTP
  - RS232 / IE ASCII code

## PHYSICAL

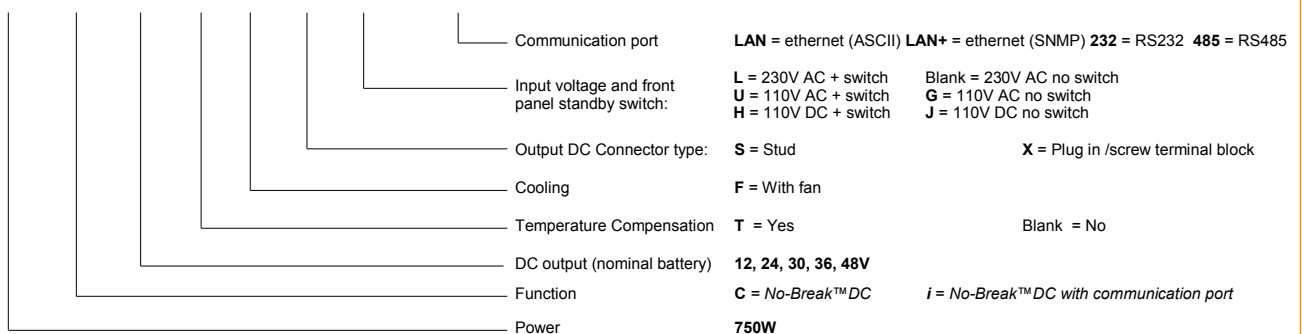
<b>AC Input connector</b>	IEC320 inlet socket (similar to PCs etc.)
<b>DC Output Connections</b>	M8 brass stud or plug-in/ screw terminal block
<b>Alarm Connections</b>	Plug in/ screw terminal block
<b>Enclosure</b>	Powder coated steel
<b>Weight</b>	4.3kg
<b>Dimensions</b>	225W x 304D x 70H mm (excluding mounting feet and terminals)

## ACCESSORIES SUPPLIED

Mounting feet together with screws  
AC power cord 1.5m with IEC320 socket & AUS/NZ plug  
Mating screw terminal plug for 'X' version  
Mating screw terminal plug for alarm outputs  
Crimp lugs for 'S' versions

## MODEL IDENTIFICATION CODES

# SR750C 12 T F S L-LAN+



Specifications are subject to change without notice. No liability accepted for errors or omissions.