

PAH300-450 SERIES

DC/ DC Single Output: 300 ~ 450 watts



Features

- Input options; 24V, and 48V
- Power levels 300 ~ 450 watts
- Output voltage options 12, 28 and 48V
- Wide output external voltage trim
- 100°C operation Baseplate temperature
- Fully isolated input – output
- Overload and over voltage protection
- Safety approvals & CE marked
- High Efficiency up to 90%
- Industry standard Half Brick
- Suitable for Customer Designed power supplies

Specifications:

Input Voltage	24VDC (19 ~ 36) 48VDC (36 ~ 76)
Input Current	PAH300S24: 15A, PAH300S48: 7.2A PAH350S24: 17.3A PAH350S48: 8.2A PAH450S48: 10.4A
Efficiency	Model dependant 87 ~ 92%
Output Voltage	12 to 48vdc (refer to table)
Output Voltage Trim	By external trim network 12V: -40% to +10% 28V: -40% to +18% 48V: -40% to +18%
Output Ripple & Noise	12V / 200 mV, 28V / 280mV, 48V / 480mV
Line Regulation	Typically 0.2%
Load Regulation	12V / 24mV, 28V / 56mV, 48V / 96mV
Overload Protection	Constant current limit with auto recovery set at 105 ~ 140%.
Overvoltage Protection	Inverter Shutdown at 125 ~ 145%, recycle input power to reset.
Remote Sense	Yes
Remote ON / OFF	Yes (Short = ON, Open = OFF)
Parallel Operation	NO

Operating Temp.	-40°C to +100°C Baseplate temperature, with over temperature protection.
Over Temperature protection	Operates when internal temperature of module abnormally rises. OTP operates at 105°C ~ 130°C Baseplate temperature.
Operating Humidity	5 ~ 95% RH Non-condensing
Cooling	Conduction cooling via Baseplate, refer to manual.
Temp. Coefficient	0.02% per °C
Isolation Voltage	Input – Output: 1.5KVAC. Input – Baseplate: 1.5KVAC. Output – Baseplate: 500VDC
Vibration	Non operating, 10-55Hz (sweep for 1 min) Amplitude 0.285mm constant (max 49m/s ²) X,Y,Z for 1 hour.
Shock	196.1m / s ²
Safety	UL60950-1, EN60950-1
Dimensions	58 x 61 x 12.7mm
Weight	Model dependant 90 ~ 100g

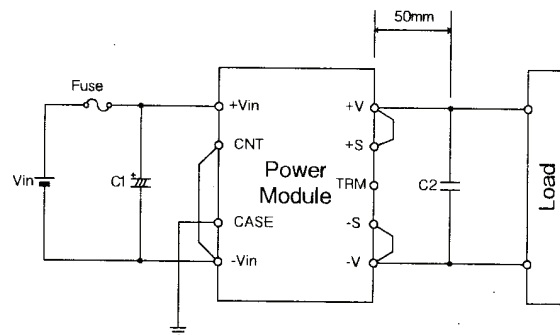


Fig.1-2 Basic Connection

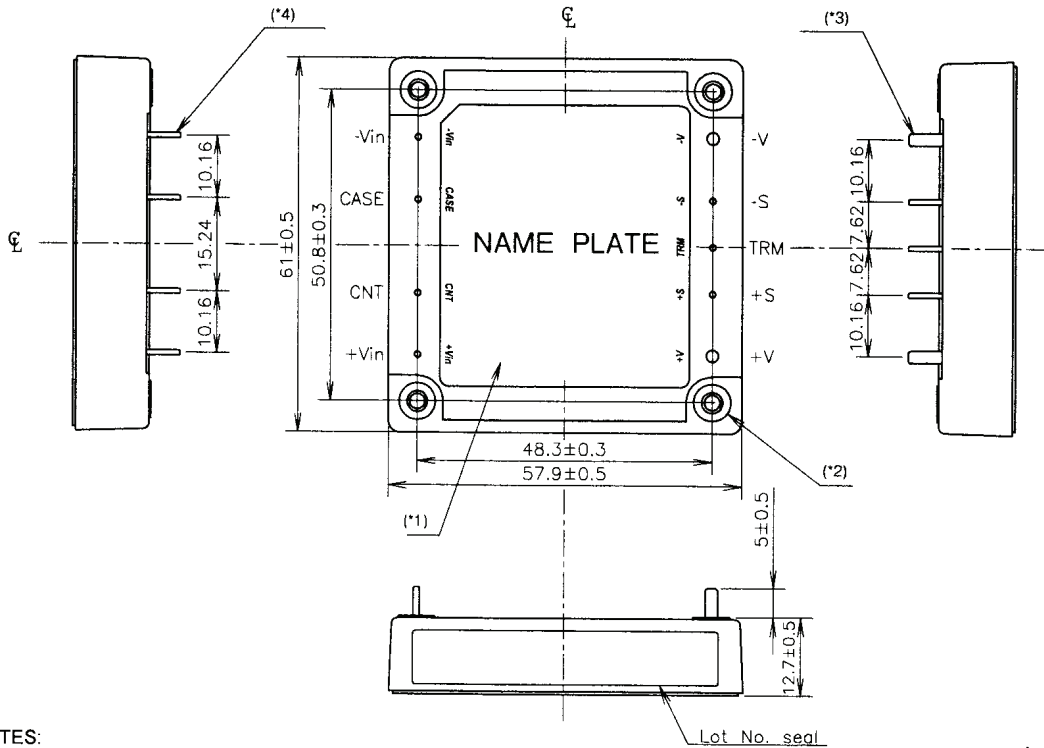
PAH300-450 SERIES

DC/ DC Single Output: 300 ~ 450 watts

Model	Input V	Output		Output Voltage Range	Power W
		V	A		
PAH300S24-12	24V	12V	25A	7.2 ~ 13.2V	300W
PAH300S24-28	24V	28V	11A	16.8 ~ 30.8V	300W
PAH350S24-28	24V	28V	12.5A	16.8 ~ 33.0V	350W
PAH300S48-12	48V	12V	25A	7.2 ~ 13.2V	300W
PAH300S48-28	48V	28V	11A	16.8V ~ 33.0V	300W
PAH350S48-12	48V	12V	29.2A	7.2 ~ 13.2V	350W
PAH350S48-28	48V	28V	12.5A	16.8 ~ 33.0V	350W
PAH450S48-28	48V	28V	16A	16.8 ~ 33.0V	450W
PAH450S48-48	48V	48V	9.4A	28.8 ~ 57.6V	450W

- Model Suffix: Blank = (M3 tapped mounting inserts (4), /T = 3.3mm non-threaded inserts (4)

PAH300 – PAH450 Mechanical Outline



NOTES:

- (*1) Model name, input voltage range, nominal output voltage, maximum output current, country of manufacture and safety marking (C-UL-US, BSI & CE marking) are shown here in accordance with the specifications.
- (*2) M3 threaded holes 4 for customer chassis mounting (FG).
- (*3) Output terminals : 2- ϕ 2.0
- (*4) Input and signal terminals : 7- ϕ 1
- (*5) Unless otherwise specified dimensional tolerance : ± 0.25

unit :mm