

DCW 100 ~ 200 SERIES

DC/DC Converters Single Output: 100 ~ 200 Watts



Features

- ◆ Wide input range: 20 ~ 60VDC, 65 ~ 160VDC
- ◆ Convection cooled: No fans
- ◆ Three power levels: 100, 150 & 200 watts
- ◆ Fully isolated input – output
- ◆ Over voltage & short circuit protection
- ◆ Built-in DC Fail Alarm
- ◆ MTBF > 150,000hrs
- ◆ Specials input / output combinations on request.
- ◆ Any output from 12vdc ~ 120vdc possible
- ◆ Customised mechanical solutions on request
- ◆ Rack mounting option

Input Voltage	24 / 48VDC (20 ~ 60) 72 / 110VDC (65 ~ 160) ◆ Other voltages on request
Input Protection	Reverse polarity protection. Inrush current limiting Thermal Fuse
Isolation	Input - Output 1500 vdc Input – Chassis 1500 vdc Output – Chassis 500 vdc ◆ Other options on request
Efficiency	Model dependent , typically 83%
Switching Freq.	50kHz
Output voltage	Any voltage from 12 to 50VDC
Output Power	100 ~ 200 watts
Voltage adjustment	±5.0% other options on request
Parallel Operation	DCW150 & DCW200 only suitable for N+1 Redundancy
Line Regulation	±1% over input range
Load Regulation	±2% from no load to full load.

Output Protection	◆ Over voltage protection ◆ Current limiting with hiccup mode. ◆ Thermal protection
Short Circuit Protection	Current limiting with hiccup mode
EMI	EN55022 class A
Immunity	EN61000-4
Output Ripple & Noise	1% pk-pk maximum of output voltage setting
Operating Temp.	0°C to +50°C at full load. Derate 2.5% per °C from 50° -70°C.
Humidity	10-95% non-condensing (Conformal Coating optional)
Cooling	Conduction cooled or Convection cooled.
Output Alarm	Yes - DCW150 & DCW200 only
Terminals	Screw- type terminal block (other options on request)
Dimensions & Weight	100W: 87 x 155 x 50mm 560g 150W: 198 x 112 x 51mm 900g 200w: 254 x 113 x 58mm 1.13kg

Model	Input V	Output V A	Power W
DCW100-12FT	20 ~ 60V	12V 8A	96W
DCW100-24FT	20 ~ 60V	24V 4A	96W
DCW100-48FT	20 ~ 60V	48V 2A	96W
DCW150-12FT	20 ~ 60V	12V 12A	144W
DCW150-24FT	20 ~ 60V	24V 6A	144W
DCW150-48FT	20 ~ 60V	48V 3A	144W
DCW150- 110FT	20 ~ 60V	110V 1.4A	150W
DCW 200-12FT	20 ~ 60V	12V 16A	192W
DCW 200-24FT	20 ~ 60V	24V 8A	192W
DCW 200-48FT	20 ~ 60V	48V 4A	192W
DCW200-110FT	20 ~ 60V	110V 1.8A	200W

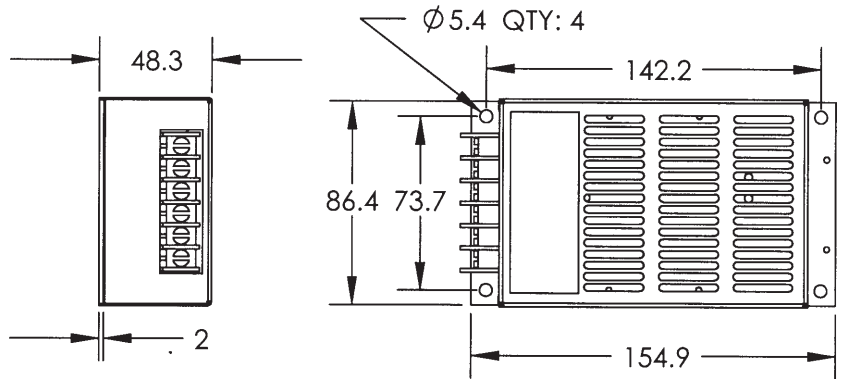
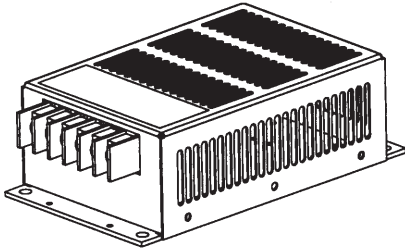
Model	Input V	Output V A	Power W
DCW100- 110-12FT	110V	12V 8A	96W
DCW100- 110-24FT	110V	24V 4A	96W
DCW100- 110-48FT	110V	48V 2A	96W
DCW150- 110-12FT	110V	12V 12A	144W
DCW150- 110-24FT	110V	24V 6A	144W
DCW150- 110-48FT	110V	48V 3A	144W
DCW 200-110-12FT	110V	12V 16A	192W
DCW200- 110-24FT	110V	24V 8A	192W
DCW200- 110-48FT	110V	48V 4A	192W

◆ **Other output voltage options on request**

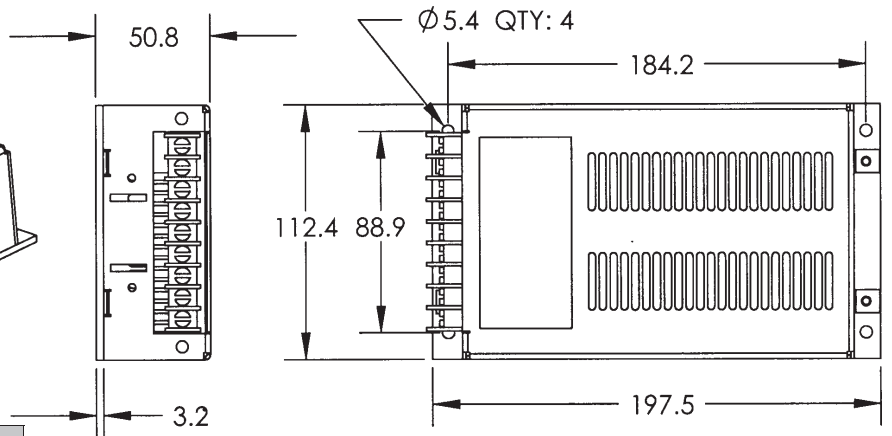
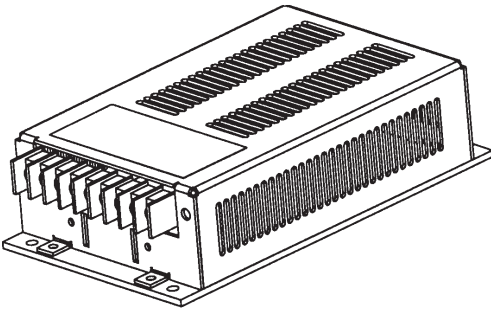
DCW100 ~ 200 SERIES

DC/DC Converters Single Output: 100 ~ 200 Watts

DCW100



DCW150



DCW150 Series								
DC OUTPUT			ALARM			DC INPUT		
+	--	+	Fail	Com	Fail	⏏	-	+
Direct	Return	Redundant	Open	5	Close		7	8
1	2	3	4	5	6	7	8	9

DCW200

