

DCW102R SERIES

Rail DC/ DC Converters Dual Output: 50 ~ 100 Watts



General Specifications

Input Voltage	24VDC (14.4 ~ 34)	36VDC (22 ~ 51)
	48VDC (29 ~ 67)	72VDC (43 ~ 101)
	96VDC (58 ~ 135)	110VDC (66 ~ 154)
	• Other voltages on request	
Input Protection	Reverse polarity protection. Inrush current limiting Lower voltage than specified will not damage unit	
Isolation	Input - Output 3000vdc Input – Chassis 1500vdc Output – Chassis 1500vdc	
Efficiency	Model dependent , typically 80-90%	
Output voltage	See tables	
Output Power	100 watts	
Voltage Adjust.	Customer specified	
Immunity	EN50155 & EN50121-3-2 EN61000-4-2 ESD EN61000-4-3 RF Immunity EN61000-4-4 Fast Transients EN50155 Surge & Voltage variations EN61000-4-6 Conducted Immunity	
EMI	EN5022 Class B Conducted & Radiated	
Switching Freq.	47kHz ±5kHz	
Regulation	V1: ±1% Line / Load combined V2: ±5% Line / Load combined, from 10% to 50% load step, with constant load on V1	
Dynamic Response	Max ±5% diviation for 10% - 50% load step wuth 1msec recovery	
Ripple & Noise	Typically 1% pk-pk or 0.2% RMS of output voltage (20MHZ BW)	
Overload Protection	Current limiting, with hiccup type short-circuit protection	
Overvoltage Protection	V1: Double regulator loop V2: Tranzorb across output	
Operating Temp.	-25°C to +70°C cold plate temperature	
Cooling	Conduction cooling / Convection cooling	
Environmental Protection	Ruggedizing and Conformal coating of PCB.	
Shock & Vibration	IEC61373 Cat 1 A & B and Cat 2	
Humidity	5-95% non-condensing, higher ration option	
MTBF	>150,000 hrs	

Features

- Designed to rail standards EN50155 & EN50121
- Rugged design for on-board train applications
- Wide input voltage range
- Convection / Conduction cooled: No fans
- Fully isolated input – output 3000VDC
- Over voltage protection
- Overload and short circuit protection
- MTBF > 150,000hrs
- Specials input / output combinations on request.

Description

The **DCW102R** series dc/dc converters are designed for use on Rail Rolling Stock and for many extremely harsh environments.

V1 is regulated, with the second output tracking.

This rugged, industrial quality DC/DC converter uses a field proven topology to generate up to 100W continuous power, depending on the input/output configuration (i.e. efficiency).

It is a mature design with a track record in hundreds of applications. The series has large design headrooms and it is rated for operation over a -25 to +70oC temperature range.

It is cooled by conduction via baseplate to a heatsinking surface and by natural convection. These models are fully ruggedized and conformal coated for immunity to shock, vibration, humidity, moisture, dust and insects.

This chassis-mount design is optimized for low component count and high efficiency. The use of components with established reliability results in a high demonstrated MTBF.

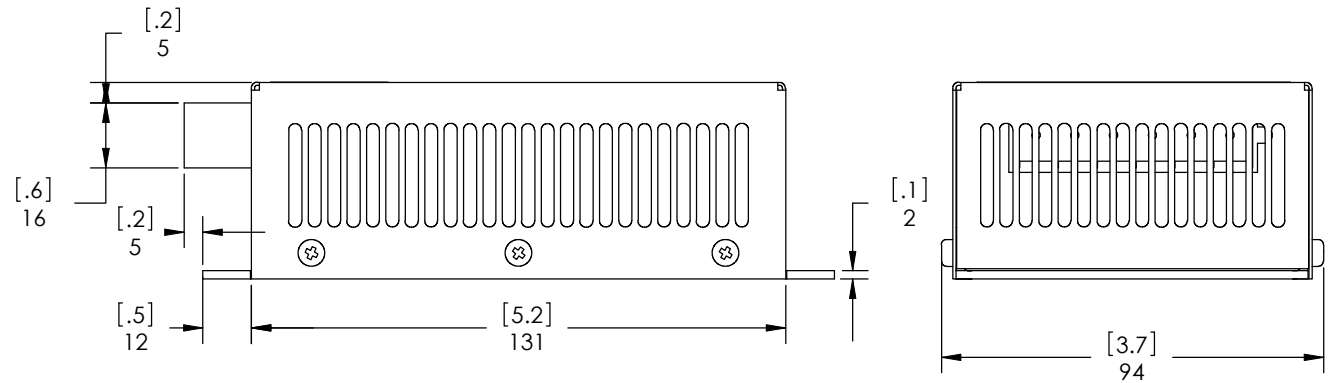
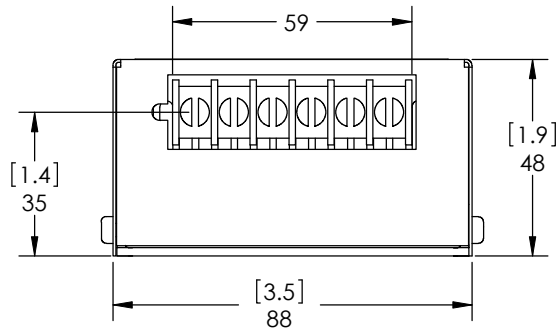
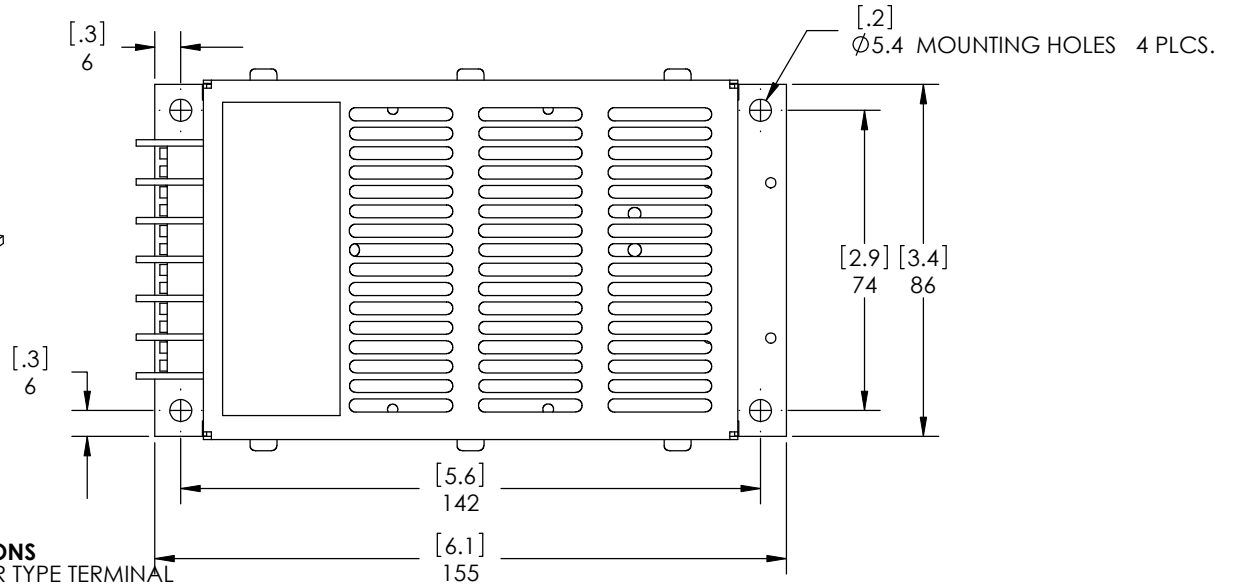
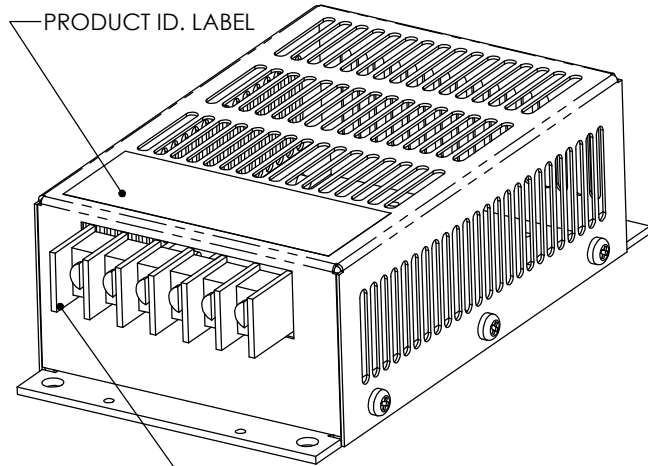
Customized versions are also available.

Model	Input Options	Standard Outputs	Power W
	V	V A	
DCW102R	24V, 36V, 48V	V1: 12V 2A	100W
	72V, 110V	V2: 12V 2A	
<ul style="list-style-type: none"> • These DCW102R is manufactured to order with customer specifying the input / output voltage combinations. • Final part number will be allocated at time of order. • The units can be supplied with two isolated outputs that can be connected in series, or as a ± output with common return. 			

LED / Indicator	Optional
Alarm output	Optional on some models
Connector	6 pole barrier-type terminal block with 3/8"spacing. (optional cover)
Dimensions	94 x 48 x 160mm (F0) W x H x L (includes terminal block & mounting flanges)
Weight	0.6kg

DCW102R SERIES

Rail DC/DC Converters Dual Output: 50 ~ 100 Watts



DIMENSIONS ARE IN MILLIMETERS
[INCHES] TOLERANCES ON
DECIMALS: XXX ± 0.2mm
 XX ± 0.3mm
ANGLES: ± 2°
FRACTIONS: ± 0.4mm
UNLESS OTHERWISE STATED

THIS DOCUMENT IS THE PROPERTY
OF AMTEX ELECTRONICS LTD.
ITS CONTENTS ARE PROPRIETARY AND
MAY NEITHER BE COPIED, REPRODUCED
NOR ITS CONTENTS DISCLOSED TO OTHERS
WITHOUT PRIOR WRITTEN AGREEMENT
FROM AMTEX ELECTRONICS LTD.

Title: OUTLINE DRAWING

Part of: F0 PACKAGE