

HBL1K5F SERIES

AC/ DC Power Supply High Voltage Output: 1500 Watts



k

General Specifications

Input Voltage	230vac (195 ~ 264)
Frequency	47 – 63Hz
Input Protection	Inrush current limiting Input Fuse
Isolation	Input - Output 4300vdc Input - Chassis 2250vdc Output - Chassis 500vdc
EMI	EN55022 class A
Switching Freq.	55KHz
Output voltage	See table
Output Power	1500 watts
Voltage adjustment	Customer specified
Redundancy Diode	Optional for N+1 Applications
Regulation	Line / Load : ±1% combined 10% to 100% load
Dynamic Response	5% voltage deviation for 10% to 50% load step with 1msec recovery
Output Ripple /Noise	Typically 1% pk-pk or 0.2% rms 20MHZ BW
Output Protection	Over voltage protection Current limiting (Constant Current) Short circuit protection Thermal protection
Efficiency	Model dependent typically 85%
Operating temp.	0° C to +50°C at 100% load Derate 2.5% per °C to 65°C
Cooling	Forced Fan, by two built-in fans
Environmental protection	Basic ruggedizing. Extended ruggedizing and conformal coating available as an option
MTBF	Typically 100, 000 hrs
Indicators	Optional LED
Connector	Input terminal block. Output terminal block or threaded studs Other options on request
Dimensions	349 x 236 x 65 mm (FF6)
Weight	3.6kg

Features

- Designed for high voltage output 24 ~ 125vdc
- Rugged design for industrial applications
- Fully isolated input – output 4300VDC
- Over voltage protection & Overload protection
- Overload and short circuit protection
- MTBF > 100,000hrs
- Specials input / output combinations on request.
- Suitable for battery charging applications - Option
- N+1 Redundancy –option
- Output DC Fail alarm -option
- Suitable for Battery Charging applications

Description

The **HBL1K5F** AC/DC Power Supply is designed for high voltage applications up to 125VDC and it's based on the 1KW unit with fan cooling.

This rugged, industrial quality power supply uses field proven topology. It is a mature design with an excellent track record in numerous applications.

An optional built-in redundancy diode allows parallel connection to achieve higher output power or N+1 redundancy, with output DC Fail alarm.

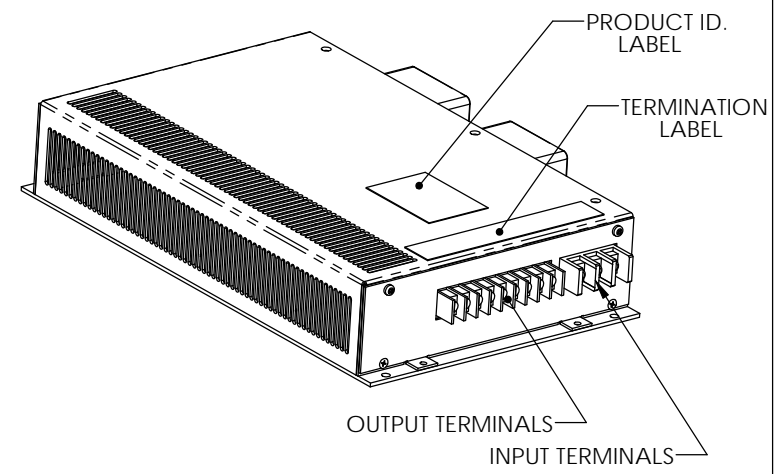
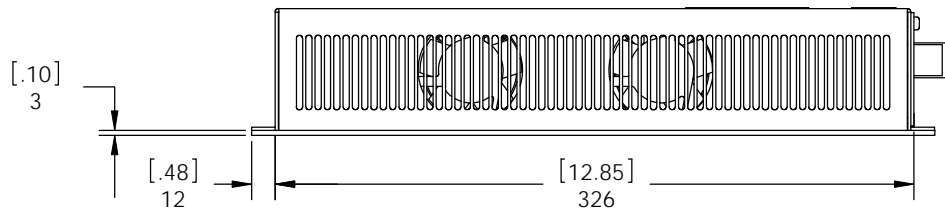
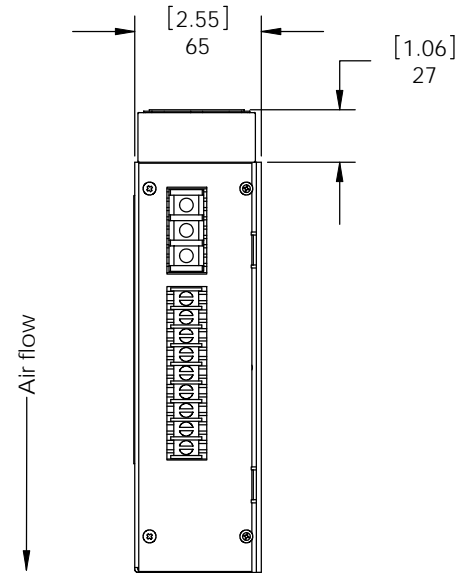
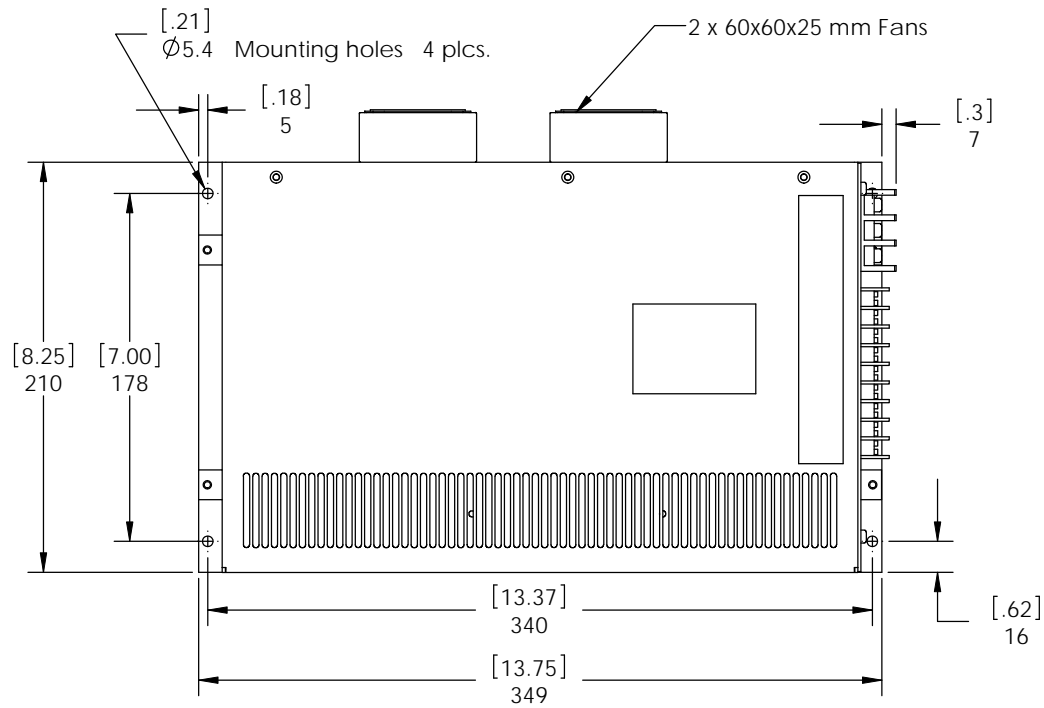
This chassis-mount design is optimized for low component count and high efficiency. The use of components with established reliability results in high MTBF.

Options

Output Voltage	Special voltage outputs
Terminals	Customer specified connectors
N+1 Redundancy	Output redundancy diode & Alarm
Ruggedizing	Extended ruggedizing and conformal coating available.
Remote Control	Remote ON / OFF

Model	Input V	Outputs V A	Power W
HBL1K5F-24FT	230VAC	24V 62A	1500W
HBL1K5F-28FT	230VAC	28V 53A	1500W
HBL1K5F-36FT	230VAC	36V 41A	1500W
HBL1K5F-48FT	230VAC	48V 31A	1500W
HBL1K5F-56FT	230VAC	56V 27A	1500W
HBL1K5F-110FT	230VAC	110V 13A	1500W
HBL1K5F-125FT	230VAC	125V 12A	1500W

- Other voltage options available from 24 ~ 125V.



DIMENSIONS ARE IN MILLIMETERS
 [INCHES] TOLERANCES ON
 DECIMALS: XXX ± 0.2mm
 XX ± 0.3mm
 ANGLES: ± 2°
 FRACTIONS: ± 0.4mm
 UNLESS OTHERWISE STATED

Title:	OUTLINE DRAWING	---
	FF6 Package with barrier terminals	www.heliosps.com